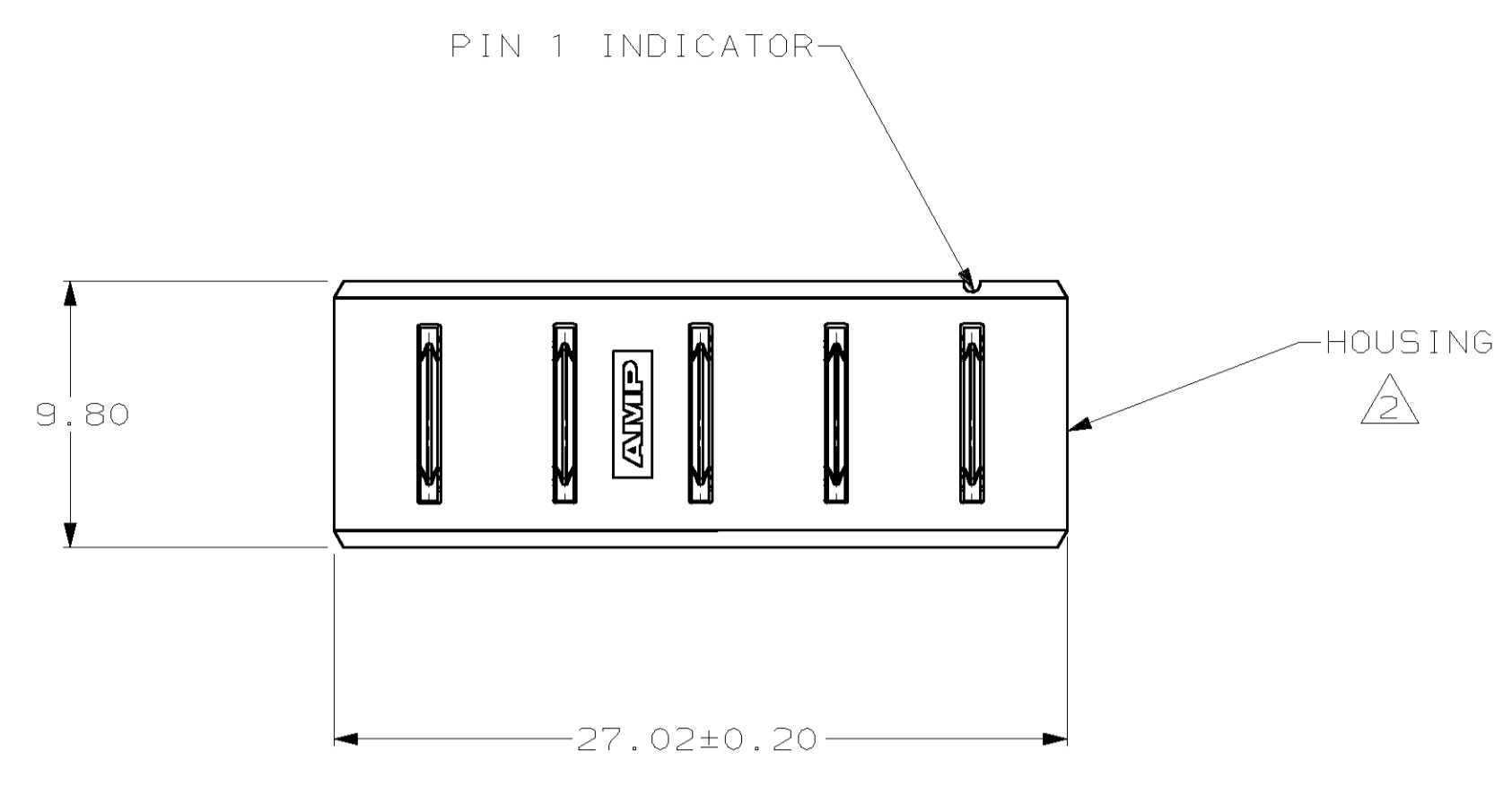
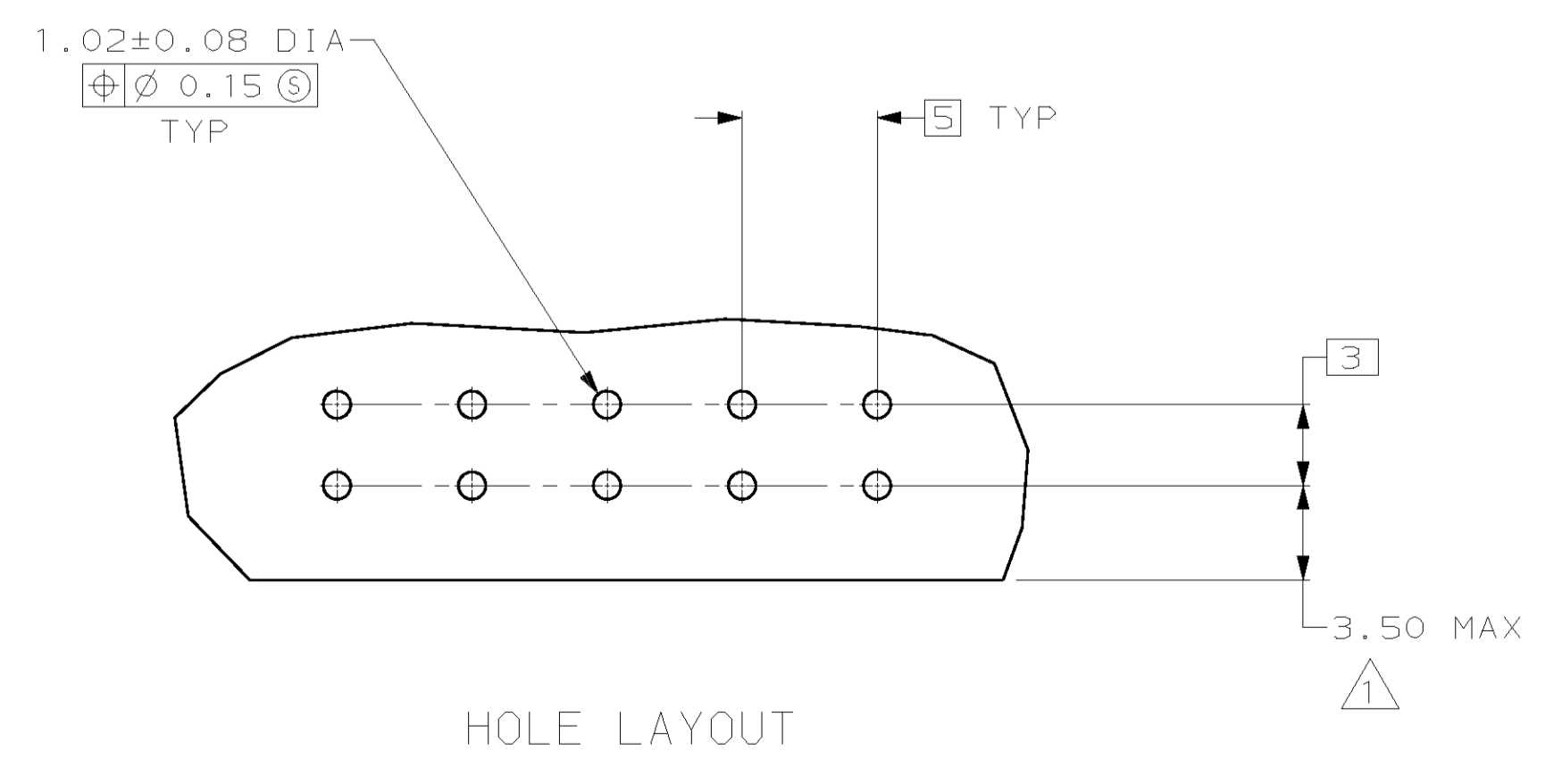
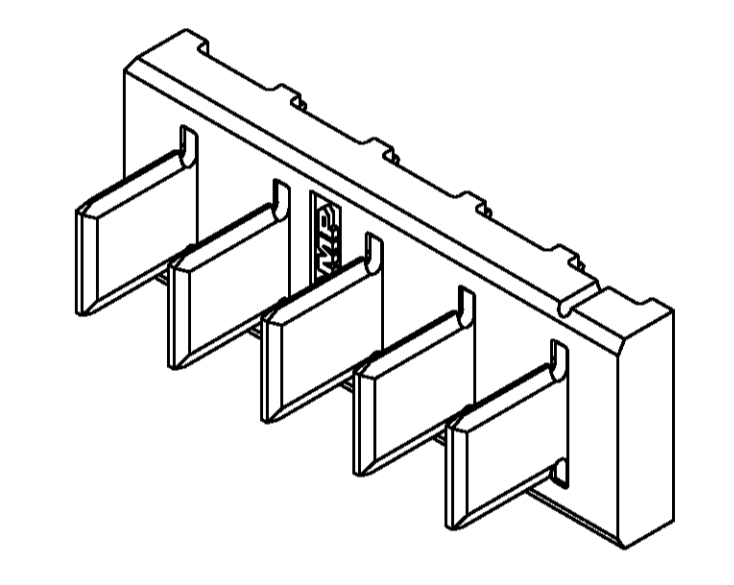
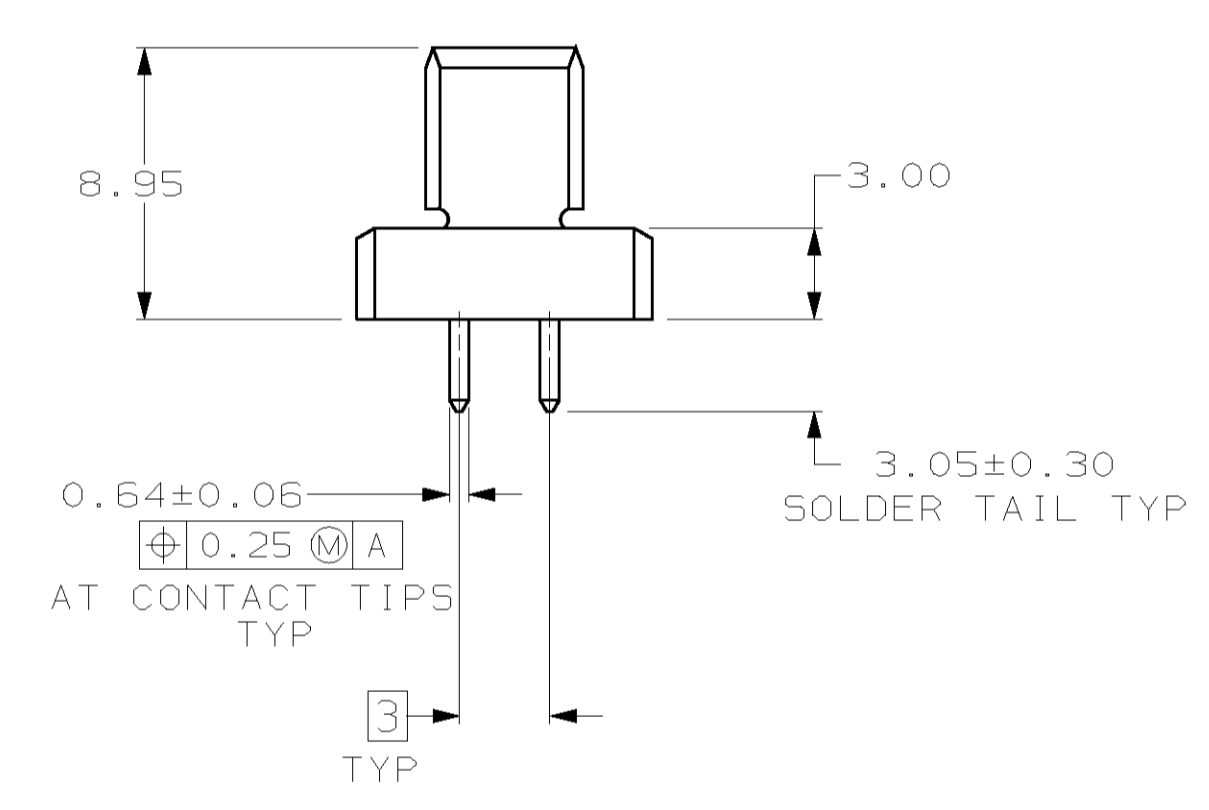
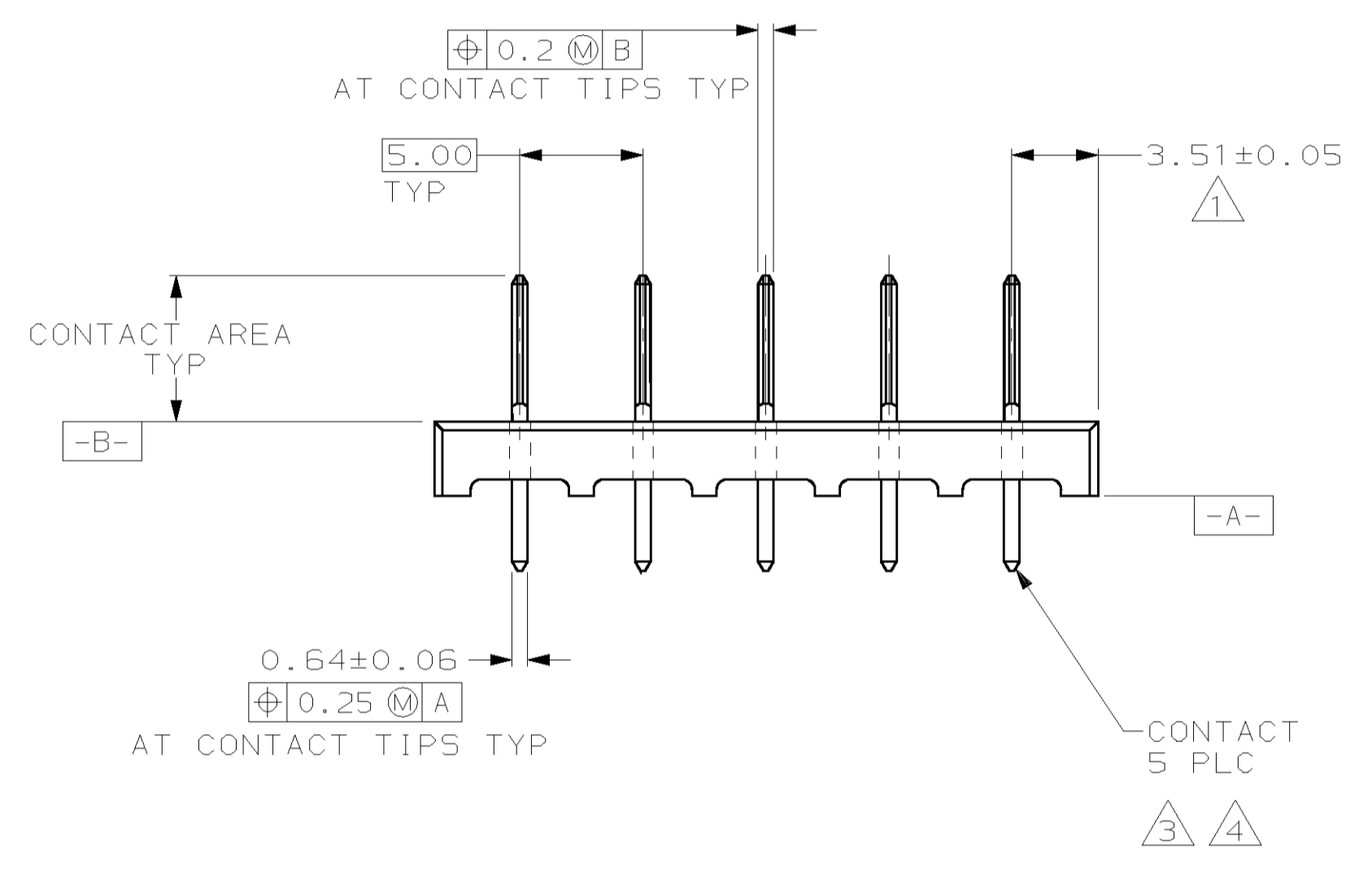


LOC	DIST	REV	DESCRIPTION	DATE	OWN	APPR
GP	00					
		0	RLSE -1 PER NPR 5307 WAS 95-2197-17-1	03-29-95	SK	SK
		A	REV PER EC 0020-0657-96	12/06/96	JR	RK
		B	REV PER EC 0410-0218-96	12/06/96	JR	RS
		C	ADDED -3 PER EC 0610-102-98	15 JUL 98	PB	GS
		D	REV PER EC 0515-0335-03	12/20/04	JR	JG



- ① COORDINATE DIMENSION APPLIES FROM CENTER OF ACTUAL FEATURE.
- ② HOUSING: POLYPHTHALAMIDE, COLOR BLACK.
- ③ 2.54µm MIN TIN-LEAD ON SOLDER TAIL OVER 1.90µm MIN NICKEL ALL OVER.
- ④ CONTACTS: BRASS



OBsolete	SUBSIDIARY USE ONLY	TUBE	787444-3
		STANDARD	787444-1
		PACKAGING TYPE	PART NO
<small>THIS DRAWING IS A CONTROLLED DOCUMENT FOR AMP INCORPORATED. IT IS SUBJECT TO CHANGE AND THE CONTROLLING ENGINEERING DEPARTMENT SHALL BE CONTACTED FOR THE LATEST REVISION.</small>		DWN	S. KLINE 03-29-95
		CHK	S. KLINE 03-30-95
		APP'D	S. KLINE 03-30-95
DIMENSIONS: mm TOLERANCES UNLESS OTHERWISE SPECIFIED: 0 PLC ±- 1 PLC ±- 2 PLC ±0.13 3 PLC ±- 4 PLC ±- ANGLES ±-		NAME	AMP Incorporated Harrisburg, PA 17105-3608
MATERIAL: SEE CALLOUTS FINISH: SEE CALLOUTS		PRODUCT SPEC	HEADER ASSEMBLY, VERTICAL, KEYLESS, 5mm L, 5 POSN, STRAIGHT SOLDER TAILS, BATTERY INTERCONNECT
		SIZE	108-1501
		APPLICATION SPEC	114-24005
		WEIGHT	A1 00779
		CUSTOMER DRAWING	C-787444
		SCALE	4:1
		SHEET	1 OF 1
		REV	0